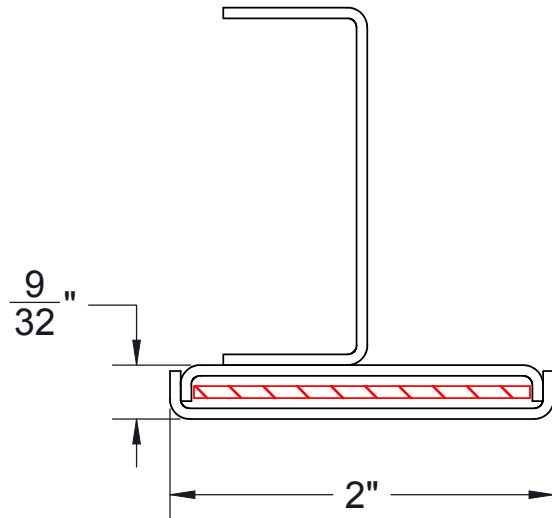
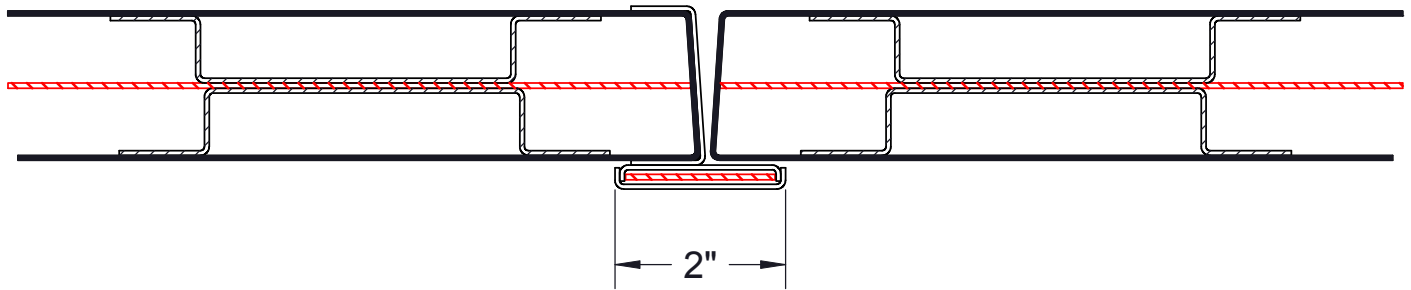


□ Beveled



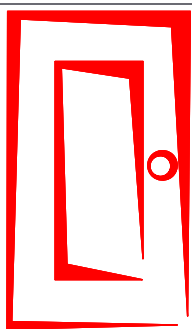
□ Square



- 14 GA galvaneled material
- Lead same thickness as door
- Ends will be capped
- Attached with #8 screws by others or plug welding by enlarging holes to 3/8"

Information needed for production:

- Swing of door
- Astragal mounting on square or beveled edge door
- Type of hardware and locations
- Net length



Karpen Steel Custom Doors & Frames	Customer:
	Job Name:
	Description:
	File name:
181 Reems Creek Rd Weaverville NC 28787 www.karpensteel.com	Lead Lined H Astragal
Tel: 828-645-4821 Fax: 800-851-2131	CUDM0104
Drawn/Revised by: Harris	Rev. Date: 09NOV10