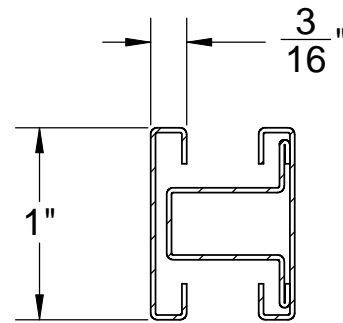
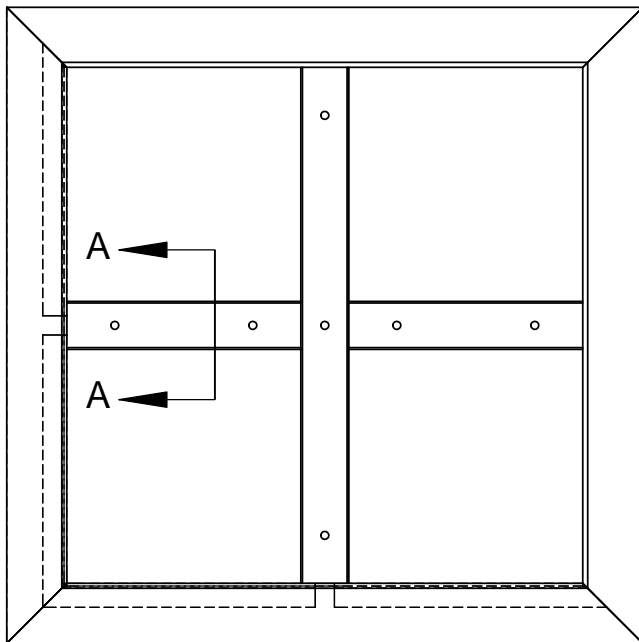
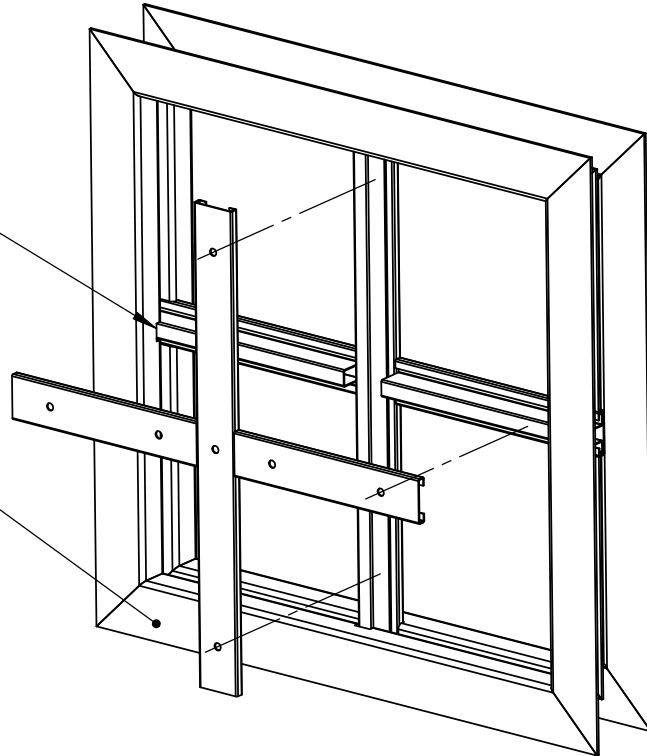


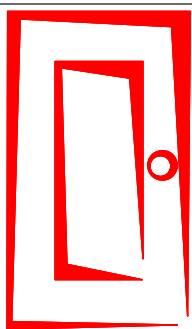
KSP kit notched for Muntin assembly

KSP kit tacked together on inside



Section A-A

FOR 1/4" GLASS ONLY
GLAZING BY OTHERS



<p>Karpen Steel Custom Doors & Frames</p> <p>181 Reems Creek Rd Weaverville NC 28787 www.karpensteel.com</p> <p>Tel: 828-645-4821 Fax: 800-851-2131</p> <p>Drawn/Revised by: Harris</p>	<p>Customer:</p> <p>Job Name:</p>
	<p>Description:</p> <p>KSP/ Muntin Bar Vision Lite Assembly</p>
	<p>File name:</p> <p>CUDV0004</p>
	<p>Rev. Date:</p> <p>05JUL11</p>