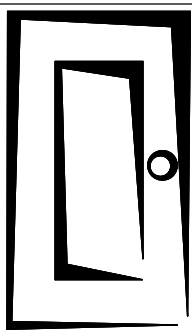
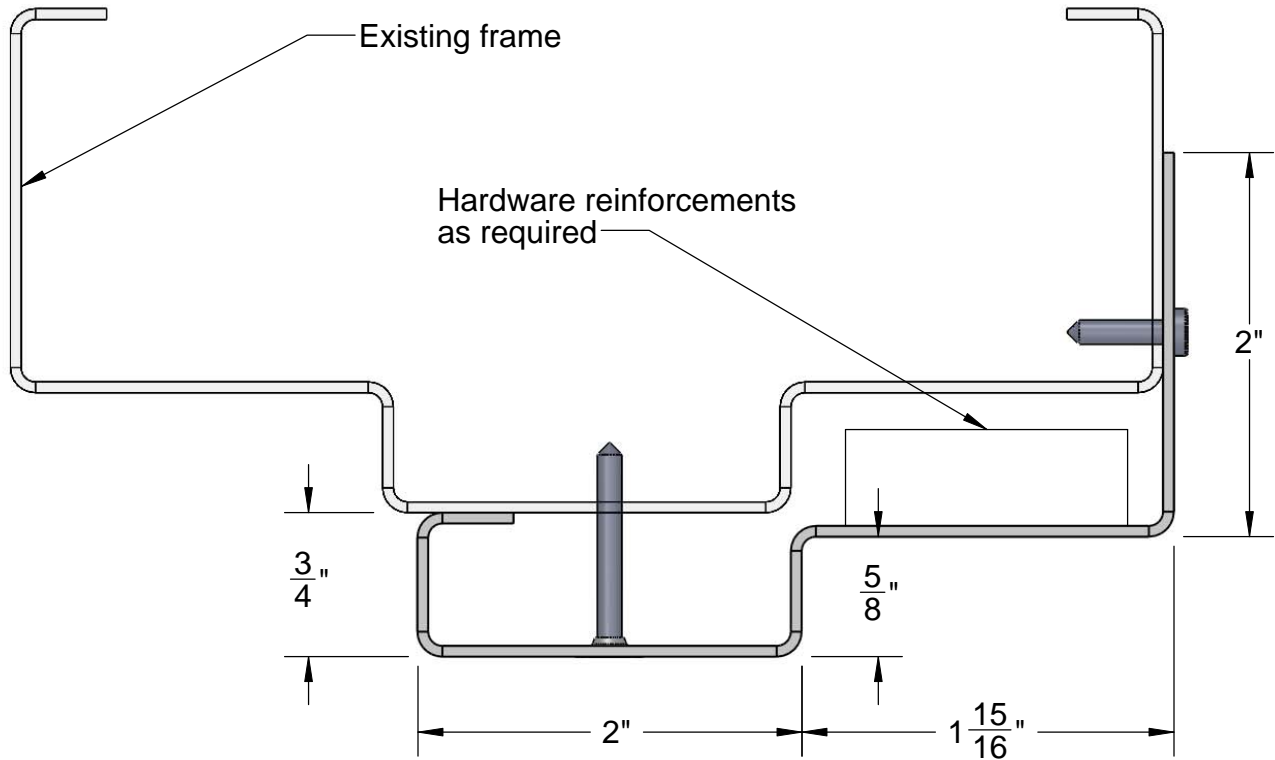
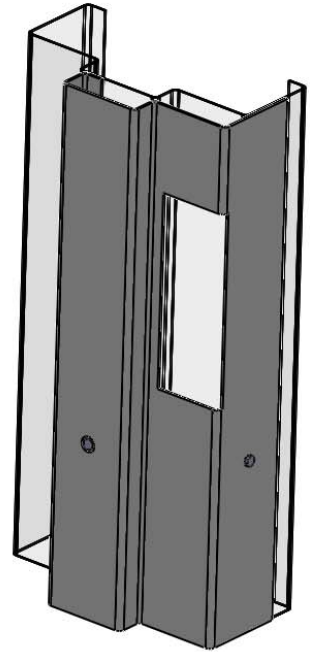


NOTE: Suggested profile.  
 Dimensions can change depending  
 on existing conditions.  
 Fasteners by others.



<p>Karpen Steel          Custom Doors &amp; Frames</p>	<p>Title:</p>	
<p>181 Reems Creek Rd          Weaverville NC 28787          www.karpensteel.com</p>	<p>Description:  <b>Half Slip Frame</b></p>	
<p>Tel: 828-645-4821          Fax: 800-851-2131</p>	<p>File name:  <b>cufp0034</b></p>	
<p>Drawn/Revised by:  <b>Harris</b></p>	<p>Rev. Date:  <b>17MAR08</b></p>	<p>Revision  <b>none</b></p>