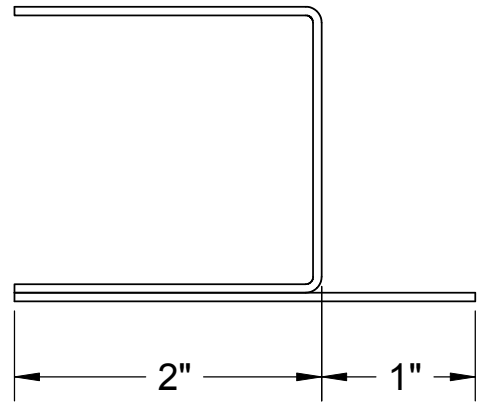
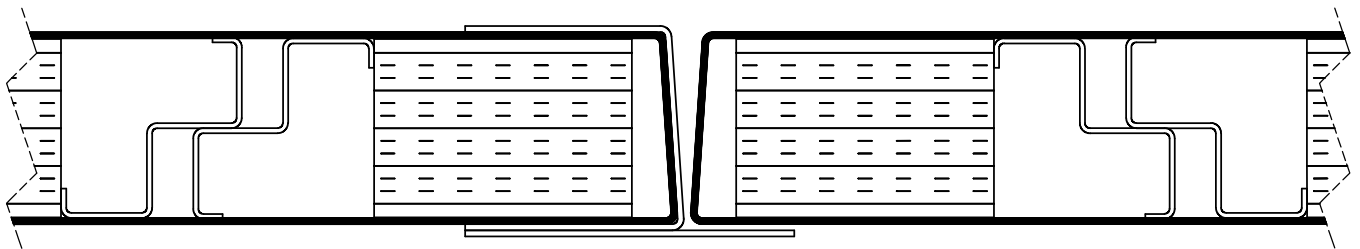


Beveled



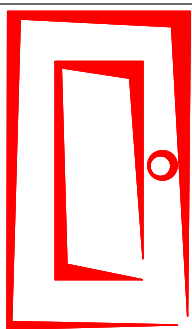
Square



- 14 GA galvaneled material
- Attached with #8 screws by others or plug welding by enlarging holes to 3/8"

Information needed for production:

- Swing of door
- Astragal mounting on square or beveled edge door
- Type of hardware and locations
- Net length
- Cut out only or mounting tabs needed



<p>Karpen Steel Custom Doors & Frames</p> <p>181 Reems Creek Rd Weaverville NC 28787 www.karpensteel.com</p> <p>Tel: 828-645-4821 Fax: 800-851-2131</p> <p>Drawn/Revised by: Harris</p>	<p>Customer:</p> <p>Job Name:</p>
	<p>Description:</p> <p>Active Door Edge Astragal</p>
	<p>File name:</p> <p>CUDM0105</p>
	<p>Rev. Date:</p> <p>28JUN11</p>